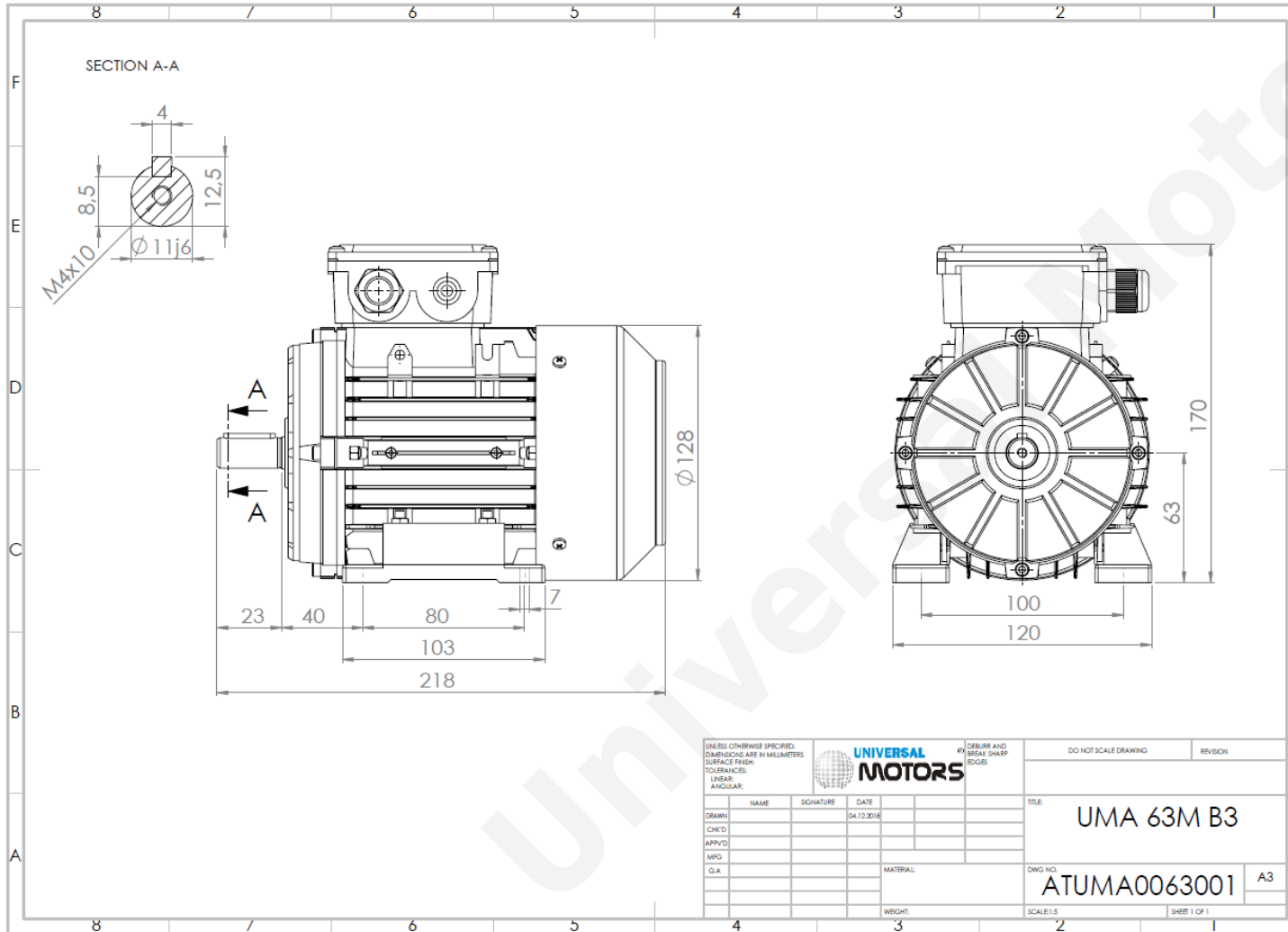




TECHNICAL DATA

Three Phase Electric Motors - Aluminum Frame
 UM2A 63M2-6
 0.12 kW / 0.16 Cv
 850 RPM



Motor type:	UM2A 63M2-6
Output:	0.12 kW / 0.16 Cv
Speed (min ⁻¹):	850 RPM
Frequency:	50 Hz
Voltage:	400 V
Current:	0.51 A
Power factor (Cos Ø):	0.67
Poles:	6
Insulation class:	F
Temperature rise Class:	B
Efficiency 50%:	42.4 %
Efficiency 75%:	50.2 %
Efficiency 100%:	50.6 %
Torque:	1.35 N.m
Tstarting/Tnominal:	1.8
Istarting/Inominal:	2.7
Tmaximum/Tnominal:	2.0
Noise:	50 Db(A)
Weight:	4.5 Kg
Bearing DE:	6201 2Z
Bearing NDE:	6201 2Z

UNLESS OTHERWISE SPECIFIED: DIMENSIONS ARE IN MILLIMETERS SURFACE FINISH: TOLERANCES: LINEAR: ANGULAR:					DEBURR AND BREAK SHARP EDGES	DO NOT SCALE DRAWING	REVISION
DRAWN	NAME	SIGNATURE	DATE	TITLE: UMA 63M B3			
CHK'D			04.12.2016	DWG NO: ATUMA0063001			
APP'VD				SCALE: 1:1			
MPG				SHEET 1 OF 1			
Q.A.				MATERIAL:			
				WEIGHT:			

Regime - S1

Altitude - 1000m

Environment Temperature - 40°C

CONTACTS:

UNIVERSAL MOTORS Tel: +351 252 299 080
 Rua de São Brás,745 Fax: +351 252 299 089
 4480-782 VILA DO CONDE Mail: geral@universalmotors.pt

* References applied only in the UK